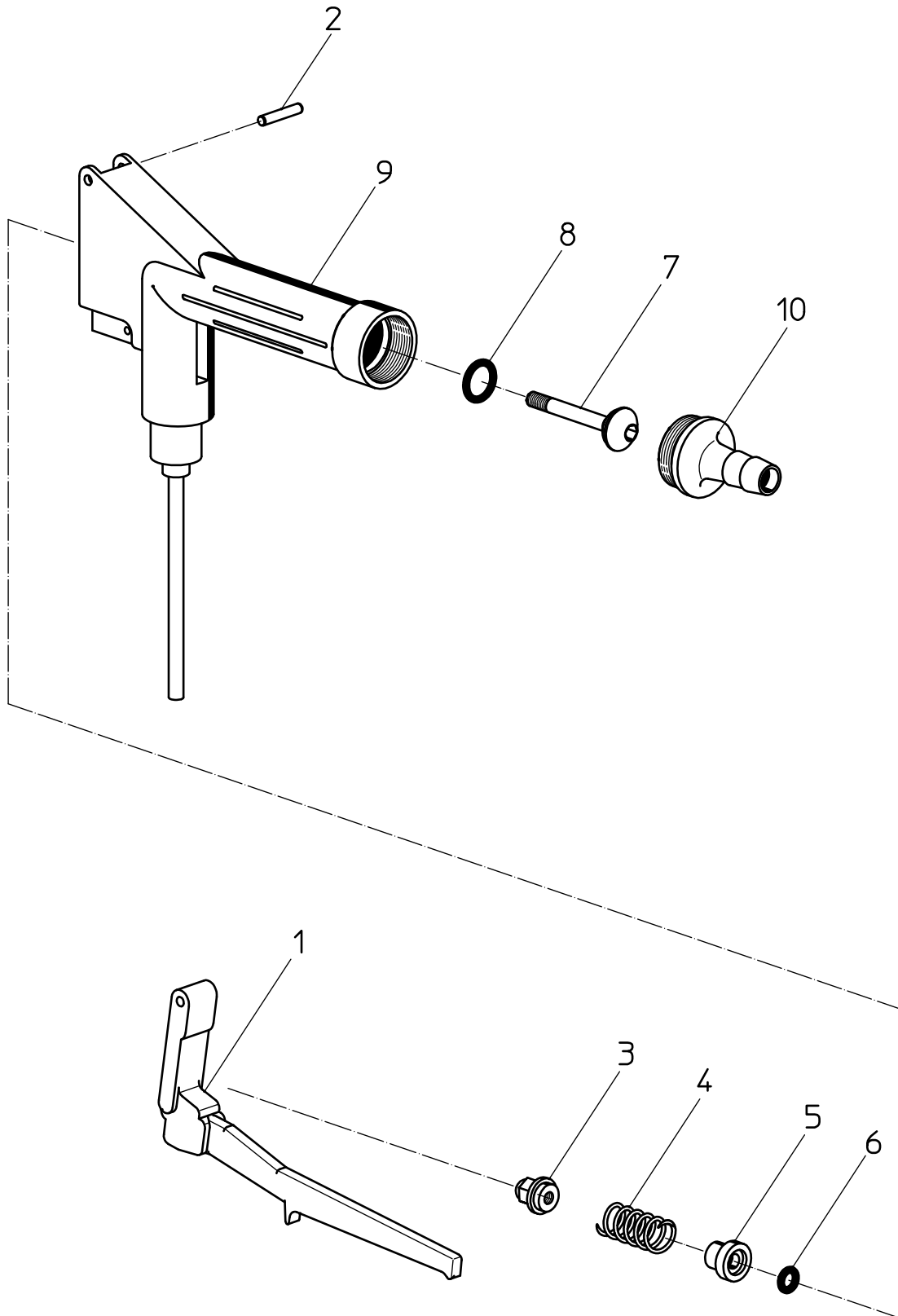




Hebeldruckfüller PP für Nachfüllpistole
Lever Tap PP - Battery Filler
Robinet de remplissage PP pour piles





Item No.	Qty. per unit	Description	Part No.	Part No.
		Version according to exploded view No. 001 13 013 – 02/2002		
1	1	Lever	001 13 003	
2	1	Cylindrical pin	914 72 002	
3	1	Nut	906 80 002	
4	1	Pressure spring	926 57 000	
5	1	Guide sleeve	001 12 141	
6	1	O-ring Ø 6 x 2,5 (FKM)	925 15 004	
7	1	Valve stem c/w item 8	001 13 088	
8	1	O-ring Ø 13 x 2,5 (FKM)	925 25 008	
9	1	Tap housing	001 13 011	
10	1	Hose connector DN 13	959 05 031	
		Sealing paste PTFE/kg	953 04 001	

Attention: Please always give full description, part no. and quantity of parts required.