

# Technical Data Sheet

Commutator motors F 457, F 457 EL

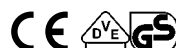


More than just pumps



### Advantages/characteristics:

- ▶ Powerful commutator motor
- ▶ Low noise level
- ▶ Compact design
- ▶ Easy to handle
- ▶ Optionally with integrated no-volt release
- ▶ Very good air cooling
- ▶ F 457 EL: with stepless speed setting to regulate the rising medium



Technical data/type	F 457	F 457 EL
Motor type	Single phase universal motor	
Housing, material	Polypropylene	
Venting	Internally ventilated	
Motor protection	Circuit breaker	
Low-voltage protection	Optional	
Speed setting, stepless	No	Yes
Power supply cable (100 - 240 V)	H 05 RN-F 2X 1,0	
Standard cable length (m) <sup>1)</sup>	5	
Standard plug <sup>2)</sup>	CEE 7 / 17	
Weight (kg)	4,0	

Certificates	
Operation category as per EN 60034-1 (VDE 0530)	S1 (continuous operation)
Protection class as per DIN EN 60 529	IP 24
Operating range	
Operating temperature (°C)	-20 to +40

1) Other cable lengths available on request    2) Other plugs available on request

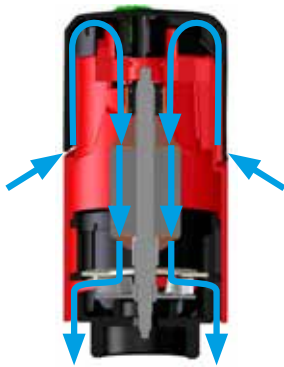
Nominal data for F 457, output 800 Watt			
Nominal voltage (V) <sup>1)</sup>	<b>230 - 240</b>	<b>120</b>	<b>110</b>
Nominal frequency (Hz)	50 - 60	60	50
Nominal output (W)	800		
Nominal speed (R/min)	9 000		
Nominal current (A)	3,8	7,5	7,8
Protection class	II		

Nominal data for F 457 EL, output 800 Watt			
Nominal voltage (V)	<b>230 - 240</b>	<b>120</b>	<b>110</b>
Nominal frequency (Hz)	50 - 60	60	50
Nominal output (W)	800		
Nominal speed (R/min)	9 000		
Nominal current (A)	3,8	7,5	7,8
Protection class	II		

# Technical Data Sheet

Commutator motors F 457, F 457 EL

## Design:

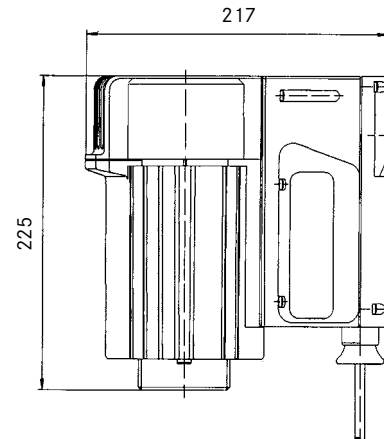


### F 457 internally ventilated.

The cooling air flows through the chambers of the double housing.

The arrows show the direction of the cooling air through the chambers of the double housing.

## Dimensions [mm]:



## Part numbers:

Voltage (Volt)	Frequency (Hz)	Output (Watt)	Cable length (m)	Plug CEE 7/7	Part no.	
					Low-voltage protection with	Low-voltage protection without
<b>Motor F 457, without speed setting</b>						
230 - 240	50-60	800	5	CEE 7/17	10-457 01 068	10-457 01 065
			5	-	10-457 01 086	10-457 01 085
120	60		5	NEMA 1-15P	10-457 01 067	10-457 01 063
110	50		5	CEE 7/17	10-457 01 072	10-457 01 073
			5	-	10-457 01 078	10-457 01 077
<b>Motor F 457 EL, with speed setting</b>						
230 - 240	50-60	800	5	CEE 7/17	10-457 01 066	10-457 01 088
			5	-	10-457 01 087	-
120	60		5	NEMA 1-15P	10-457 01 064	-
			5	CEE 7/17	10-457 01 074	-
110	50		5	-	10-457 01 080	-