

Technical Data Sheet

Commutator motors FEM 4070



More than just pumps



Advantages/characteristics:

- ▶ Awarded with the iF Design Award
- ▶ Low noise level
- ▶ Compact design
- ▶ Safe one-hand operation with ergonomic handle
- ▶ Low weight
- ▶ With infinitely speed adjustment
- ▶ Optimal overload protection in all speed ranges



Technical data/type	FEM 4070
Motor type	Single phase universal motor
Housing, material	Polyamide
Venting	Ventilated
Motor protection	Power and temperature monitoring
Low-voltage protection	Optional
Speed setting, stepless	Yes
Power supply cable (100 - 240 V)	H 05 RN-F 2X 0,75
Standard cable length (m) ¹⁾	5
Standard plug ²⁾	CEE 7 / 17
Weight (kg)	2,6

Certificates	
Operation category as per EN 60034-1 (VDE 0530)	S1 (continuous operation)
Protection class as per DIN EN 60 529	IP 24
Operating range	
Operating temperature (°C)	-20 to +40

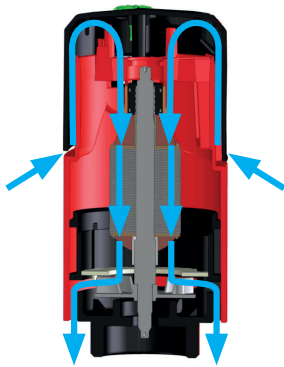
1) Other cable lengths available on request 2) Other plugs available on requeste

Nominal data for FEM 4070, output 500 Watt					
Nominal voltage (V) ¹⁾	230 - 240	120	110	100	
Nominal frequency (Hz)	50 - 60	60	50	50	60
Nominal output (W)	500			450	
Nominal speed (R/min)	8 500			8 000	
Nominal current (A)	2,6	5,2	5,3	5,8	
Protection class	II				

Technical Data Sheet

Commutator motors FEM 4070

Design:

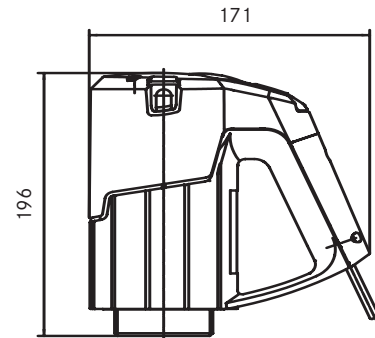


FEM 4070 ventilated.

The cooling air flows through the chamber of the interior of the motor.

The arrows show the direction of the cooling air through the chambers of the double housing.

Dimensions [mm]:



Part numbers:

Voltage (Volt)	Frequency (Hz)	Output (Watt)	Cable length (m)	Plug CEE 7/7	Part no.	
					Low-voltage protection with	without
Motor FEM 4070, with speed setting						
230 - 240	50 - 60	500	5	CEE 7/17	10-407 01 045	10-407 01 046
			5	-	10-407 01 049	10-407 01 050
120	60		5	NEMA 1-15P	10-407 01 055 ¹⁾	10-407 01 056 ¹⁾
			5	NEMA 1-15P	10-407 01 057	10-407 01 058
110	50		5	CEE 7/17	10-407 01 059	10-407 01 060
100	50 - 60		450	5	-	10-407 01 061
		5		JIS C8303	10-407 01 063 ¹⁾	10-407 01 064 ²⁾

1) Version for the USA in protection class COF ENC 2 2) Version for Japan