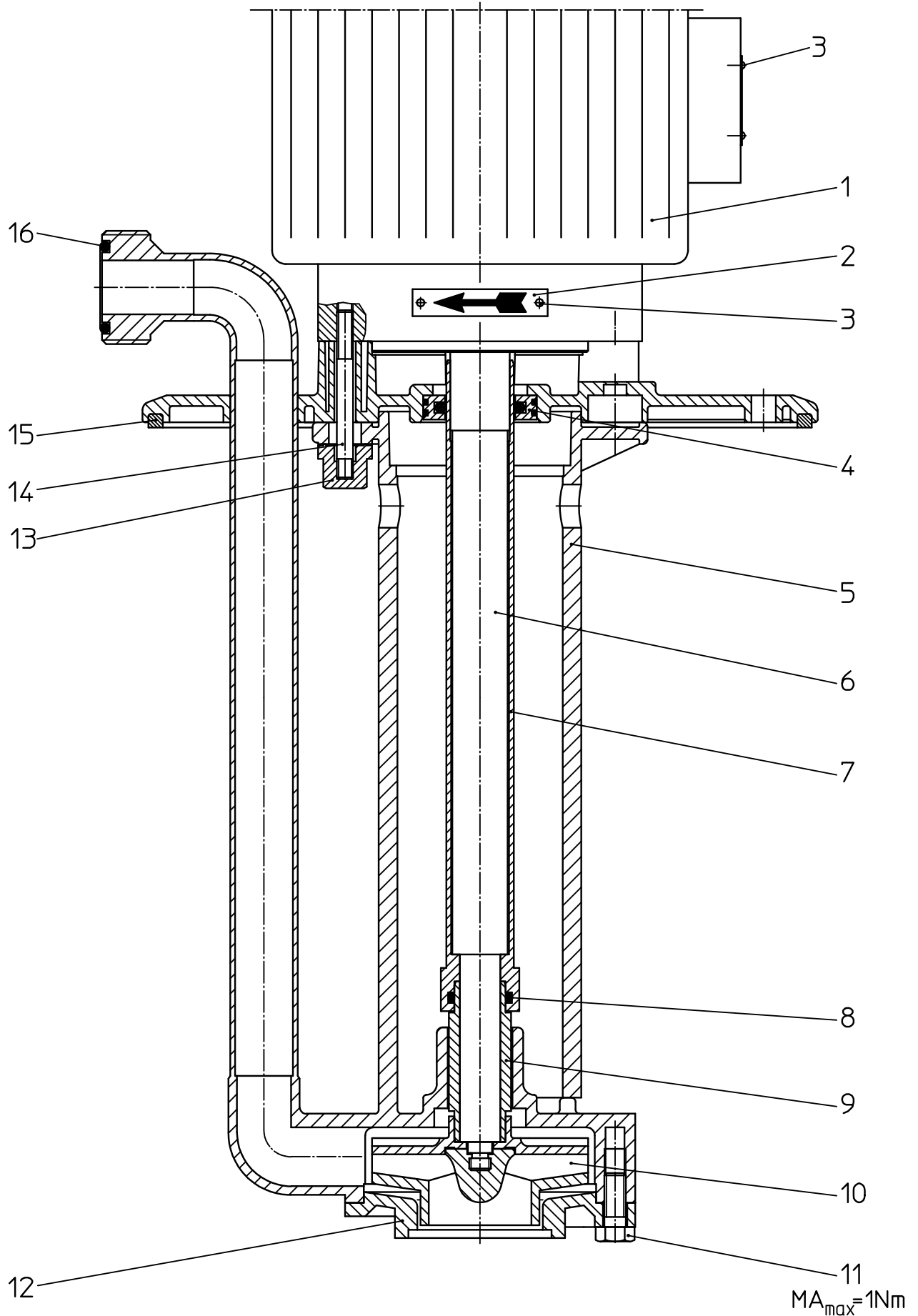




Tauchkreiselpumpe
Centrifugal Immersion Pump
Pompe centrifuge verticale

F 716 PP1-.../115
F 716 PVDF1-.../115





Item No.	Qty. per unit	Description	Part No. PP	Part No. PVDF
		Version according to sectional view No. 716 80 001 – 02/2009 valid as from Serial No. 71606300		
1	1	Motor complete Please order separately by giving all technical data		
2	1	Direction of rotation arrow	950 60 001	950 60 001
3	6	Notched nail	916 10 001	916 10 001
4	1	Seal kit Ø25/42 x 9 (PTFE-carbon / fibre glass)	925 59 003	925 59 003
5	1	Pump housing complete with item 4 e = 300 e = 400	716 45 013 716 45 014	716 65 013 716 65 014
6	1	Armature 0,37 kW complete with pump shaft e = 300 e = 400	001 03 342 001 03 343	001 03 342 001 03 343
	1	Armature 0,55 kW complete with pump shaft e = 300 e = 400	001 03 345 001 03 346	001 03 345 001 03 346
7	1	Shaft coating with item 8 and 9 e = 300 e = 400	716 45 343 716 45 344	716 65 293 716 65 294
8	1	O-ring Ø19,2 x 3 (FKM)	925 35 001	925 35 001
9	1	Support bushing (PTFE)	716 45 346	716 45 346
10	1	Impeller Ø 50 Impeller Ø 60 Impeller Ø 70 Impeller Ø 80	716 45 140 716 45 141 716 45 142 716 45 033	716 65 140 716 65 141 716 65 142 716 65 033
11	4	Hexagonal screw	900 91 003	900 91 014
12	1	Cover	715 40 255	715 40 256
		optional		
	1	Cover with suction strainer	715 40 263	715 40 265
		optional		
	1*	Cover with extension tube p = 70 p = 100 p = 200 p = 300	715 40 268 715 40 269 715 40 270 715 40 271	715 40 272 715 40 273 715 40 274 715 40 275

Attention: Please always give full description, part no. and quantity of parts required.



Item No.	Qty. per unit	Description	Part No. PP	Part No. PVDF
		Version according to sectional view No. 716 80 001 – 02/2009 valid as from Serial No. 71606300 optional		
	1*	Cover with extension tube and suction strainer p = 200 p = 300 p = 400	716 45 291 716 45 292 716 45 293	716 65 270 716 65 271 716 65 272
	*	Versions with extension tube or extension tube and suction strainer are supplied with an o-ring on the cover:		
	1	O-ring Ø80 x 1,5 (FKM)	925 95 081	925 95 081
13	4	Nut	906 84 003	906 84 002
14	4	Stud bolt	900 88 016	900 88 016
15	1	Seal Ø 235/245 x 5 (PE) Seal Ø 230/240 x 5 (PE) (upon special request only; not supplied with the pump)	925 94 007 -	- 925 94 008
16	1	O-ring Ø28,2 x 3,5 (FKM)	925 55 004	925 55 004

e = immersion length
All dimension in mm

Attention: Please always give full description, part no. and quantity of parts required.

This list consists of 3 pages

FLUX-GERÄTE GMBH D-75433 Maulbronn

Rights reserved to make alterations and/or modifications