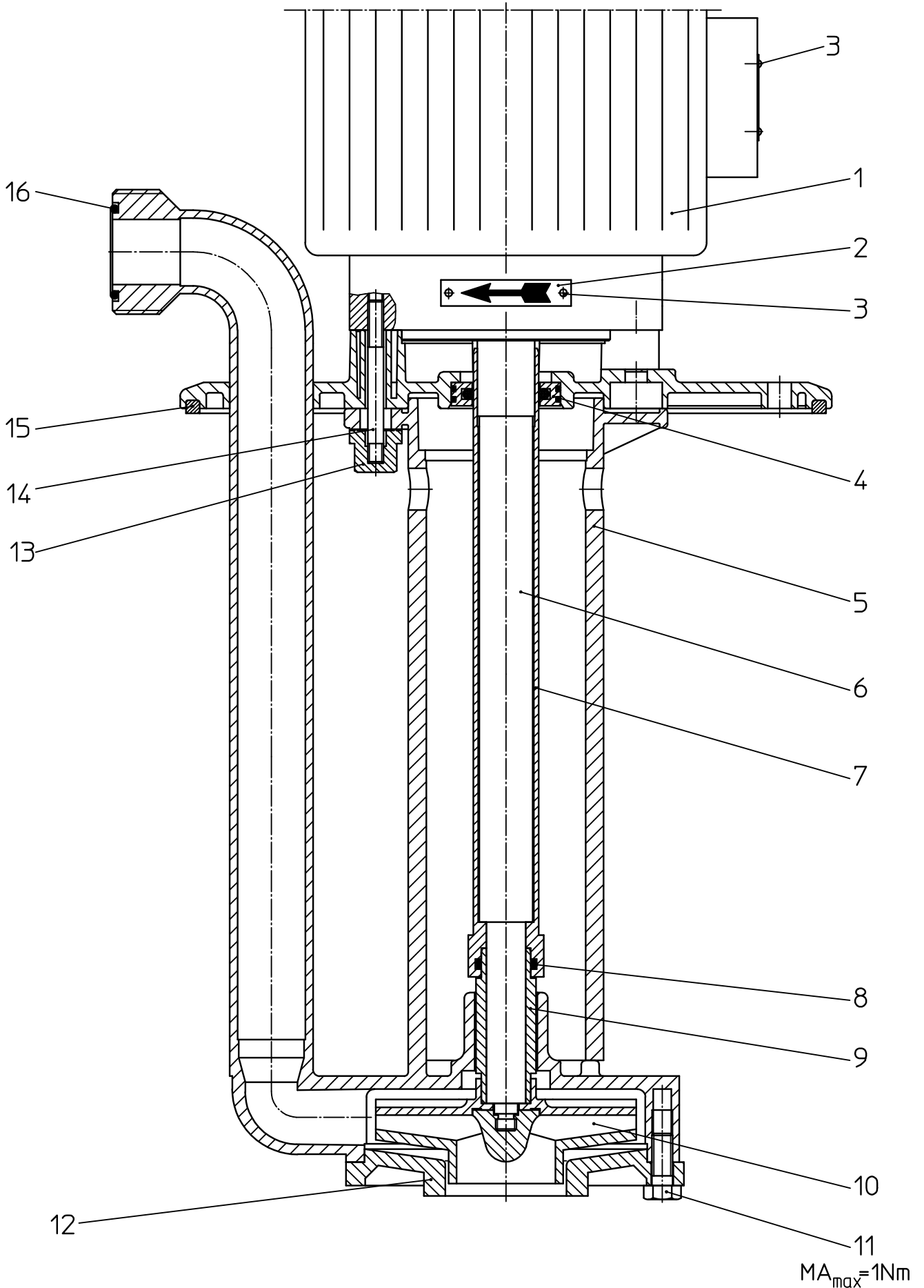




Tauchkreiselpumpe
Centrifugal Immersion Pump
Pompe centrifuge verticale

F 716 PP1-.../135
F 716 PVDF1-.../135





Item No.	Qty. per unit	Description	Part No. PP	Part No. PVDF
		Version according to sectional view No. 716 80 003 – 02/2009 valid as from Serial No. 71606300		
1	1	Motor complete Please order separately by giving all technical data		
2	1	Direction of rotation arrow	950 60 001	950 60 001
3	6	Notched nail	916 10 001	916 10 001
4	1	Seal kit Ø25/42 x 9 (PTFE-carbon / fibre glass)	925 59 003	925 59 003
5	1	Pump housing complete with item 4 e = 300 e = 400	716 45 023 716 45 024	716 65 023 716 65 024
6	1	Armature 0,37 kW complete with pump shaft e = 300 e = 400	001 03 342 001 03 343	001 03 342 001 03 343
	1	Armature 0,55 kW complete with pump shaft e = 300 e = 400	001 03 345 001 03 346	001 03 345 001 03 346
	1	Armature 0,75 kW complete with pump shaft e = 300 e = 400	001 03 348 001 03 349	001 03 348 001 03 349
7	1	Shaft coating with item 8 and 9 e = 300 e = 400	716 45 343 716 45 344	716 65 293 716 65 294
8	1	O-ring Ø19,2 x 3 (FKM)	925 35 001	925 35 001
9	1	Support bushing (PTFE)	716 45 346	716 45 346
10	1	Impeller Ø 80 Impeller Ø 90 Impeller Ø100	716 45 033 716 45 143 716 45 034	716 65 033 716 65 143 716 65 034
11	4	Hexagonal screw	900 91 003	900 91 014
12	1	Cover optional	715 44 106	715 44 220
	1	Cover with suction strainer	715 44 111	715 44 224

Attention: Please always give full description, part no. and quantity of parts required.



Item No.	Qty. per unit	Description	Part No. PP	Part No. PVDF
		Version according to sectional view No. 716 80 003 – 02/2009 valid as from Serial No. 71606300 optional		
	1*	Cover with extension tube p = 100 p = 200 p = 300 optional	715 44 116 715 44 117 715 44 118	715 44 229 715 44 230 715 44 231
	1*	Cover with extension tube and suction strainer p = 200 p = 300 p = 400	716 45 294 716 45 295 716 45 296	716 65 273 716 65 274 716 65 275
	*	Versions with extension tube or extension tube and suction strainer are supplied with an o-ring on the cover:		
	1	O-ring Ø99,5 x 3 (FKM)	925 95 021	925 95 021
13	4	Nut	906 84 003	906 84 002
14	4	Stud bolt	900 88 016	900 88 016
15	1	Seal Ø 235/245 x 5 (PE) Seal Ø 230/240 x 5 (PE) (upon special request only; not supplied with the pump)	925 94 007 -	- 925 94 008
16	1	O-ring Ø30 x 3 (FKM)	925 65 014	925 65 014

e = immersion length
All dimensions in mm

Attention: Please always give full description, part no. and quantity of parts required.