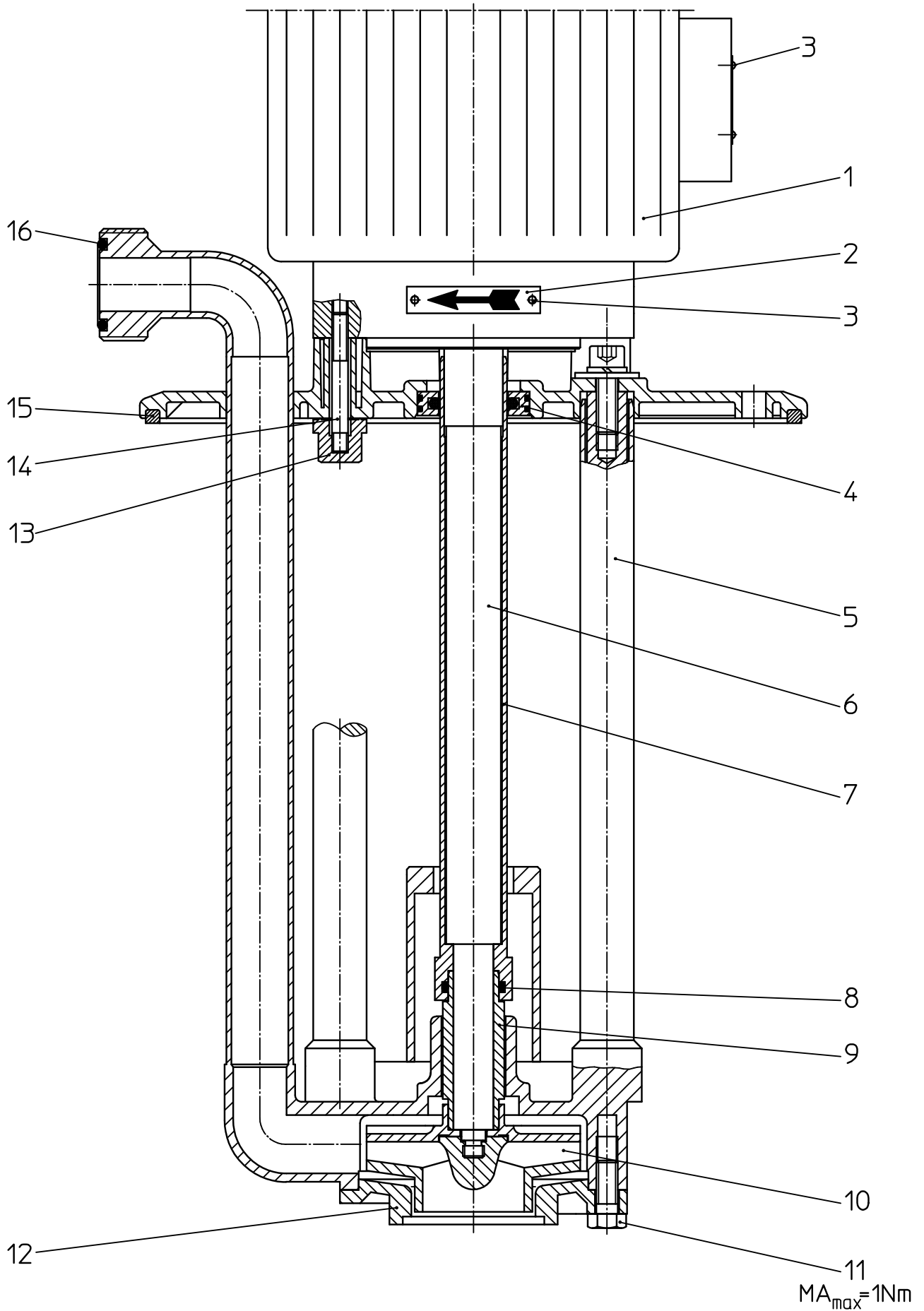




Tauchkreiselpumpe
Centrifugal Immersion Pump
Pompe centrifuge verticale

F 716 PP2-.../115
F 716 PVDF2-.../115





Item No.	Qty. per unit	Description	Part No. PP	Part No. PVDF
		Version according to sectional view No. 716 80 002 – 02/2009 valid as from Serial No. 71606300		
1	1	Motor complete Please order separately by giving all technical data		
2	1	Direction of rotation arrow	950 60 001	950 60 001
3	6	Notched nail	916 10 001	916 10 001
4	1	Seal kit Ø25/42 x 9 (PTFE-carbon / fibre glass)	925 59 003	925 59 003
5	1	Pump housing complete with item 4 e = 300 e = 400 e = 500	716 45 027 716 45 028 716 45 029	716 65 027 716 65 028 716 65 029
6	1	Armature 0,37 kW complete with pump shaft e = 300 e = 400 e = 500	001 03 342 001 03 343 001 03 344	001 03 342 001 03 343 001 03 344
	1	Armature 0,55 kW complete with pump shaft e = 300 e = 400 e = 500	001 03 345 001 03 346 001 03 347	001 03 345 001 03 346 001 03 347
7	1	Shaft coating with item 8 and 9 e = 300 e = 400 e = 500	716 45 343 716 45 344 716 45 345	716 65 293 716 65 294 716 65 295
8	1	O-ring Ø19,2 x 3 (FKM)	925 35 001	925 35 001
9	1	Support bushing (PTFE)	716 45 346	716 45 346
10	1	Impeller Ø 50 Impeller Ø 60 Impeller Ø 70 Impeller Ø 80	716 45 140 716 45 141 716 45 142 716 45 033	716 65 140 716 65 141 716 65 142 716 65 033
11	4	Hexagonal screw	900 91 003	900 91 014
12	1	Cover	715 40 255	715 40 256
		optional		
	1	Cover with suction strainer	715 40 263	715 40 265

Attention: Please always give full description, part no. and quantity of parts required.

This list consists of 3 pages

FLUX-GERÄTE GMBH D-75433 Maulbronn

Rights reserved to make alterations and/or modifications



Item No.	Qty. per unit	Description	Part No. PP	Part No. PVDF
		Version according to sectional view No. 716 80 002 – 02/2009 valid as from Serial No. 71606300 optional		
	1*	Cover with extension tube p = 70 p = 100 p = 200 p = 300 optional	715 40 268 715 40 269 715 40 270 715 40 271	715 40 272 715 40 273 715 40 274 715 40 275
	1*	Cover with extension tube and suction strainer p = 200 p = 300 p = 400	716 45 291 716 45 292 716 45 293	716 65 270 716 65 271 716 65 272
	*	Versions with extension tube or extension tube and suction strainer are supplied with an o-ring on the cover:		
	1	O-ring Ø80 x 1,5 (FKM)	925 95 081	925 95 081
13	4	Nut	906 84 003	906 84 002
14	4	Stud bolt	900 88 014	900 88 014
15	1	Seal Ø 235/245 x 5 (PE) Seal Ø 230/240 x 5 (PE) (upon special request only; not supplied with the pump)	925 94 007 -	- 925 94 008
16	1	O-ring Ø28,2 x 3,5 (FKM)	925 55 004	925 55 004

e = immersion length
All dimensions in mm

Attention: Please always give full description, part no. and quantity of parts required.