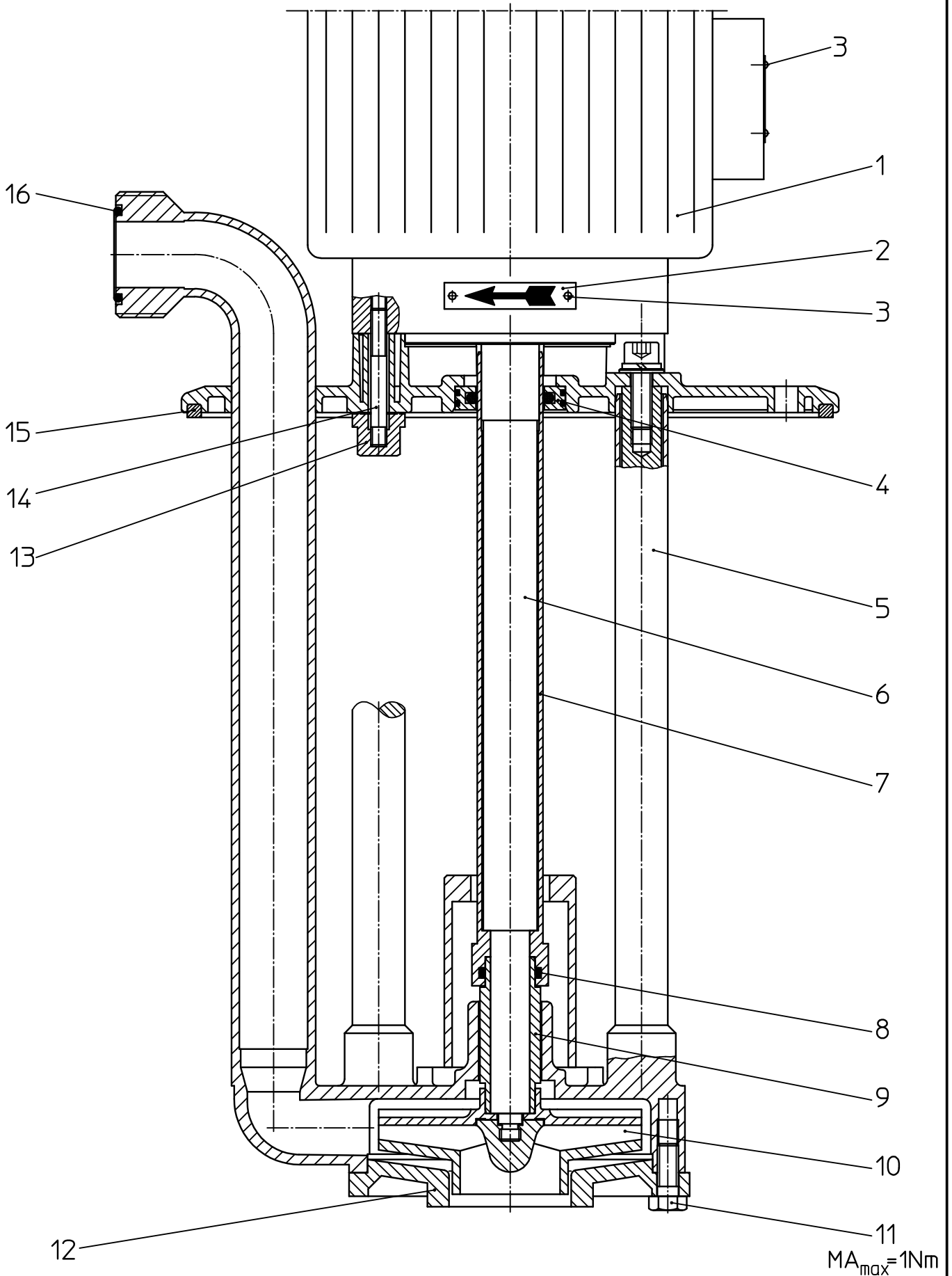




Tauchkreiselpumpe  
Centrifugal Immersion Pump  
Pompe centrifuge verticale

F 716 PP2-.../135

F 716 PVDF2-.../135





Item No.	Qty. per unit	Description	Part No. PP	Part No. PVDF
		Version according to sectional view No. 716 80 004 – 02/2009 valid as from Serial No. 71606300		
1	1	Motor complete Please order separately by giving all technical data		
2	1	Direction of rotation arrow	950 60 001	950 60 001
3	6	Notched nail	916 10 001	916 10 001
4	1	Seal kit Ø25/42 x 9 (PTFE-carbon / fibre glass)	925 59 003	925 59 003
5	1	Pump housing complete with item 4 e = 300 e = 400 e = 500	716 45 030 716 45 031 716 45 032	716 65 030 716 65 031 716 65 032
6	1	Armature 0,37 kW complete with pump shaft e = 300 e = 400 e = 500	001 03 342 001 03 343 001 03 344	001 03 342 001 03 343 001 03 344
	1	Armature 0,55 kW complete with pump shaft e = 300 e = 400 e = 500	001 03 345 001 03 346 001 03 347	001 03 345 001 03 346 001 03 347
	1	Armature 0,75 kW complete with pump shaft e = 300 e = 400 e = 500	001 03 348 001 03 349 001 03 350	001 03 348 001 03 349 001 03 350
7	1	Shaft coating with item 8 and 9 e = 300 e = 400 e = 500	716 45 343 716 45 344 716 45 345	716 65 293 716 65 294 716 65 295
8	1	O-ring Ø19,2 x 3 (FKM)	925 35 001	925 35 001
9	1	Support bushing (PTFE)	716 45 346	716 45 346
10	1	Impeller Ø 80 Impeller Ø 90 Impeller Ø100	716 45 033 716 45 143 716 45 034	716 65 033 716 65 143 716 65 034
11	4	Hexagonal screw	900 91 003	900 91 014
12	1	Cover  optional	715 44 106	715 44 220
	1	Cover with suction strainer	715 44 111	715 44 224

Attention: Please always give full description, part no. and quantity of parts required.

This list  
consists of  
3 pages

**FLUX-GERÄTE GMBH D-75433 Maulbronn**

Rights reserved to  
make alterations  
and/or modifications



Item No.	Qty. per unit	Description	Part No. PP	Part No. PVDF
		Version according to sectional view No. 716 80 004 – 02/2009 valid as from Serial No. 71606300  optional		
	1*	Cover with extension tube p = 100 p = 200 p = 300  optional	715 44 116 715 44 117 715 44 118	715 44 229 715 44 230 715 44 231
	1*	Cover with extension tube and suction strainer p = 200 p = 300 p = 400	716 45 294 716 45 295 716 45 296	716 65 273 716 65 274 716 65 275
	*	<b>Versions with extension tube or extension tube and suction strainer are supplied with an o-ring at the cover:</b>		
	1	O-ring Ø99,5 x 3 (FKM)	925 95 021	925 95 021
13	4	Nut	906 84 003	906 84 002
14	4	Stud bolt	900 88 014	900 88 014
15	1	Seal Ø 235/245 x 5 (PE) Seal Ø 230/240 x 5 (PE) <b>(upon special request only; not supplied with the pump)</b>	925 94 007 -	- 925 94 008
16	1	O-ring Ø30 x 3 (FKM)	925 65 014	925 65 014

e = immersion length  
All dimensions in mm

Attention: Please always give full description, part no. and quantity of parts required.